



MEGA Light Product





Mega Light Product Co., Ltd.

Mega Light Product co., Ltd. we recently distribute electricity goods for light as a primary products and include other products under brand "MEGA". We are growing and expanding continuously all this times, along with good managing in many sectors such as marketing, human resource and always developing the quality of products we providing to gain a standard from inside and outside of Thailand. Mega Light Product co., Ltd. still being a leader on producing electricity post for light and pilot lamp by new designing techniques to make all products have more durability and more environmental-friendly but gain best interests, and running under the principle "Meet the standards, prompt service, pay attention to quality"

All of our products quality still remain because our director and employees be united in action, loyal, patient and spirit along with close attention on services and punctuality, so we were recognised by many institutes and projects as a high quality , energy saving and eco-friendly brand. We are proud and confident for being a best energy saving electricity post and pilot lamp distributor.



OUR PRODUCTS

1. BRACKET POLE



2. HIGH MAST POLE



3. POST TOP POLE



4. STADIUM MAST POLE



5. FLAG POLE



6. GUARD RAIL



7. LIGHTING LUMINAIRE

BRACKET POLE

Single-Bracket Pole

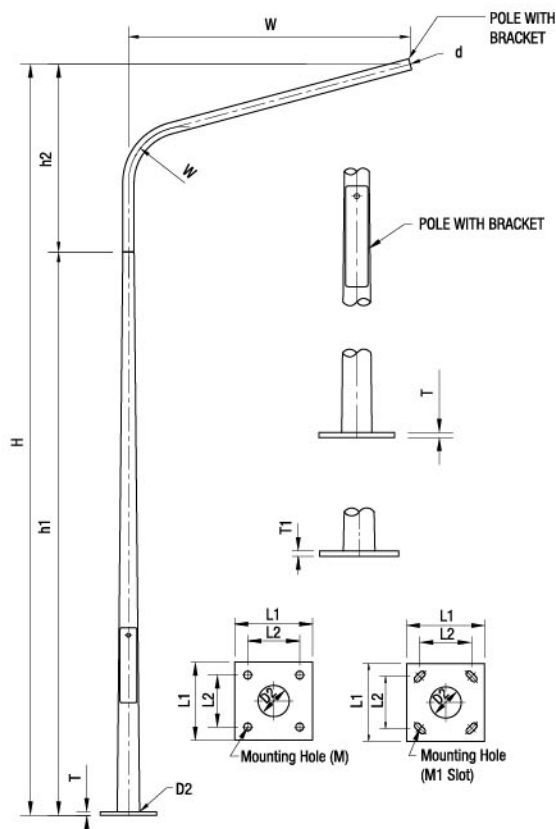
A single-bracket pole is suitable to light up an area in one direction. The height is available between 4 to 12 meters. Practical and efficient, the Mega Light Product bracket poles are in use in various government departments such as a Department of State Highways, Department of Public Works and Town & Country Planning, and Municipalities.

Specification

- : Hot dip galvanize according to atsm A123
- : Adaptor available for all type of luminaires
- : Custom design and dimension are available
- : Dimension tolerances $\pm 5\%$
- : Thickness tolerances $\pm 8\%$

Order Type

H	h1	h2	D1	D2	Thickness	Base Plate	Order Arm Type		Service Door
(Meters)	(Meters)	(Meters)	(mm)	(mm)	(mm)		Double	Single	Size mm.
Model-4	2.70	1.30	60	100	3.2	A	SD-1	SS-1	80x350
Model-5	3.70	1.30	60	113	4.0	B	SD-2	SS-2	80x350
Model-6	4.70	1.30	60	127	4.0	B	SD-2	SS-2	80x350
Model-7	5.70	1.30	60	141	4.0	B	SD-2	SS-2	90x400
Model-8	6.70	1.30	60	156	4.0	B	SD-2	SS-2	90x400
Model-9	7.70	1.30	60	170	4.0	B	SD-3	SS-3	90x400
Model-10	8.00	2.00	76	190	4.0	C	SD-4	SS-4	90x400
Model-11	9.00	2.00	76	205	4.0	C	SD-4	SS-4	90x400
Model-12	10.00	2.00	76	219	4.0	D	SD-4	SS-4	90x400
Model-14	12.00	2.00	89	260	4.0	D	SD-5	SS-5	90x400



Single Bracket

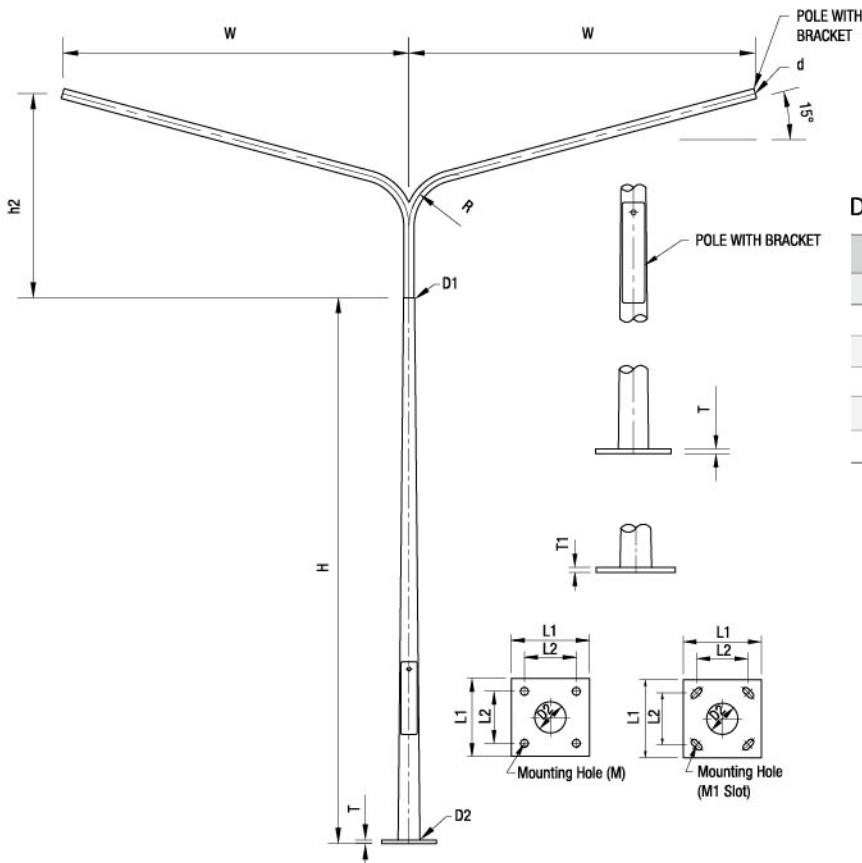
	W	h2	D1	d	R	Thickness
	(m)	(m)	(mm)	(mm)	(mm)	(mm)
SS-1	0.50	1.30	60	60	300	3.2
SS-2	2.00	1.30	60	60	300	3.2
SS-3	2.50	1.30	60	60	300	4.0
SS-4	2.50	2.00	76	76	500	4.0
SS-5	2.50	2.00	89	89	500	4.0

Base Plate Dimension

Type	L1	L2	T	M	M1	J-Bolts
	(mm)	(m)	(mm)	(mm)	(mm)	(mm)
A	300	200	18	32	22x50	M19
B	350	250	25	32	30x70	M25
C	400	300	25	32	30x70	M25
D	450	350	25	32	30x70	M25

Double-Bracket Pole

A double-bracket pole lights up an area in two directions, such as between two road lanes. The height is available between 4 to 12 meters. Practical and efficient, the Mega Light Product bracket poles are in use in various government departments such as a Department of State Highways, Department of Public Works and Town & Country Planning, and Municipalities.



Double Bracket

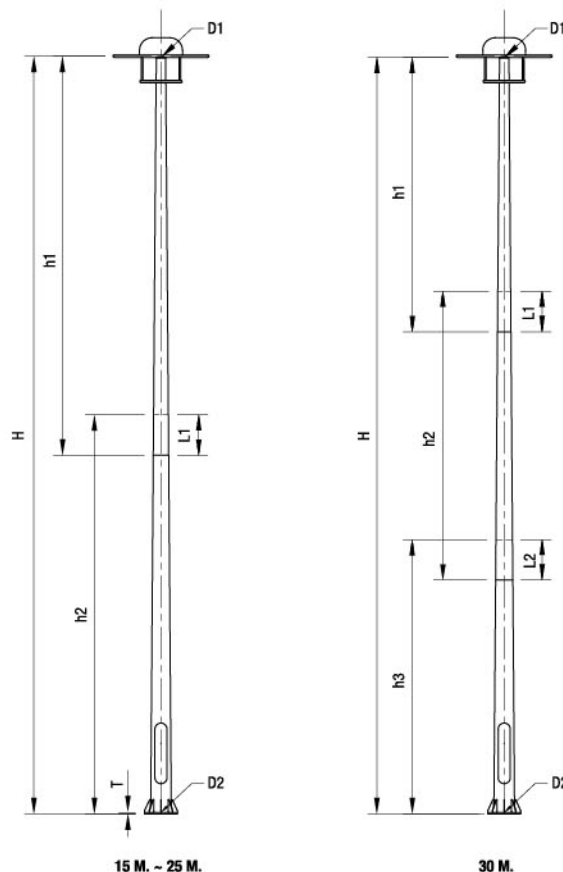
	W	h2	D1	d	R	Thickness
	(m)	(m)	(mm)	(mm)	(mm)	(mm)
SS-1	0.50	1.30	60	60	300	3.2
SS-2	2.00	1.30	60	60	300	3.2
SS-3	2.50	1.30	60	60	300	4.0
SS-4	2.50	2.00	76	76	500	4.0
SS-5	2.50	2.00	89	89	500	4.0

HIGH-MAST POLE

High Mast, High Mast, suitable for installation in the area of highways, expressways, intersections, airports, stadiums, industrial plants, parking lots, parks and general areas. Strong, durable, long service life. Galvanized Making it resistant to rust corrosion and weather resistance the bottom of the high mass column There is a door and a pole to install wints. For lifting lamps up and down, there is a chain lock set in the service Door to prevent the ring from falling in the event of a broken sling. High Mast 15 meters, manufactured according to BS: 729, ASTM A123 service compartment at the base of the High Mast pole, convenient for maintenance. Control production according to the quality certification system ISO 9001: 2015

Order Type

H	h1	h2	h3	D1	D2	Overlap		Thickness			Base Plate	PCD.	L-Bolt
						L1	L2	h1	h2	h3			
(Meters)	(Meters)	(Meters)	(Meters)	(mm)	(mm)	(mm)	(mm)	(mm)	(mm)	(mm)	(mm)	(mm)	(mm)
15.0	7.90	7.90	-	185	410	800	-	4.50	4.50	-	Ø650	530	M32
20.0	10.40	10.40	-	186	500	800	-	4.50	4.50	-	Ø750	619	M36
25.0	12.90	12.90	-	186	550	800	-	4.50	6.00	-	Ø770	770	M36
30.0	10.50	10.70	10.50	186	600	850	850	4.50	6.00	6.00	Ø850	720	M42



Specification

- : Hot dip galvanize according to atsm A123
- : Adaptor available for all type of luminaires
- : Custom design and dimension are available
- : Dimension tolerances ±5%
- : Thickness tolerances ±8%



POST TOP POLE

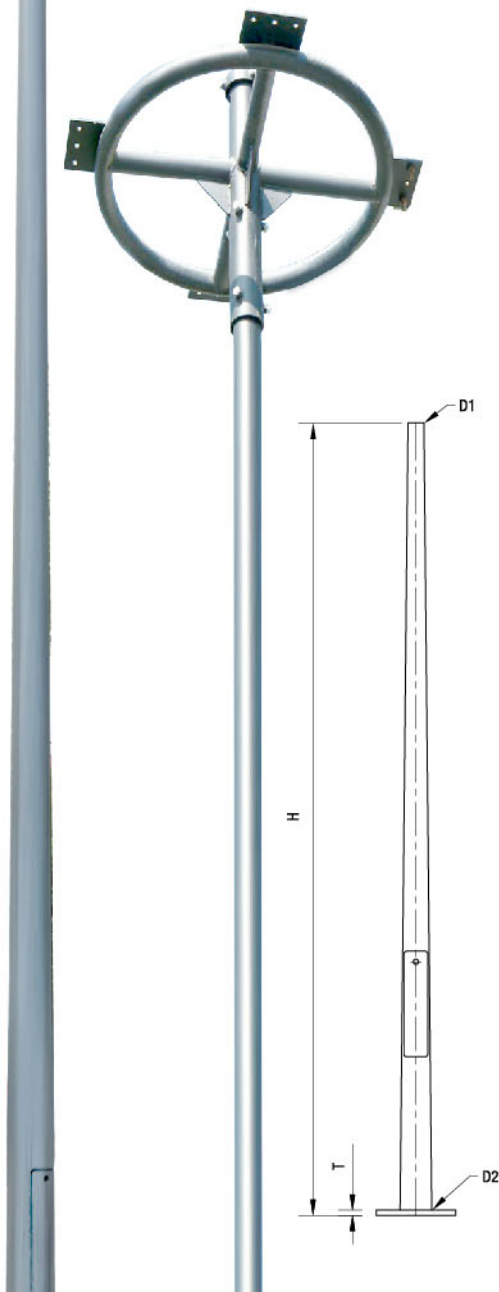
The Mega Light Product tapered non-bracket pole with a height between 6 to 12 meters available in round, hexagonal, and fluted surface; is suitable for the installation of various street lamps such as a head flame, ring type, or T-type. The design can be customized to suit different purposes and areas such as parks, tollways, conference centers, and as decoration.

Specification

- : Hot dip galvanize according to atsm A123
- : Adaptor available for all type of luminaires
- : Custom design and dimension are available
- : Dimension tolerances $\pm 5\%$
- : Thickness tolerances $\pm 8\%$

Order Type

H (Meters)	D1 (mm)	D2 (mm)	Thickness (mm)	Base Plate	Order Arm Type		Service Door Size mm.
					Double	Single	
Model-4	60	117	3.2	A	SD-1	SS-1	80x350
Model-5	60	131	4.0	B	SD-2	SS-2	80x350
Model-6	60	146	4.0	B	SD-2	SS-2	80x350
Model-7	60	160	4.0	B	SD-2	SS-2	90x400
Model-8	60	174	4.0	B	SD-2	SS-2	90x400
Model-9	76	205	4.0	B	SD-3	SS-3	90x400
Model-10	76	219	4.0	C	SD-4	SS-4	90x400
Model-11	76	233	4.0	C	SD-4	SS-4	90x400
Model-12	76	247	4.0	D	SD-4	SS-4	90x400
Model-14	89	289	4.0	D	SD-5	SS-5	90x400





STADIUM MAST MADE TO ORDER

The Mega Light Product stadium mast is designed and engineered for large areas requiring intense luminosity in a specific direction such as stadiums and department stores. Our design takes into consideration all aspects: safety, cost-effectiveness, efficiency, and utilization. The stadium mast can be customized. Ladders and safety cage for maintenance, designed with maximum safety, are provided along with the mast.

FLAG POLE

A flag, rising high up in the sky, is used to symbolize a nation or an institution. Flag poles are often part of many national landmarks. The Mega Light Product flag pole is available from 6 to 20 meters in height to serve differing specifications. The rigging system, developed from the Halyard system, comprises of a hand-reeled drum winch and motor. For a flag to stay gracefully in all conditions, our design features a 270-degree rotating device to keep it in the best angle during a strong wind.



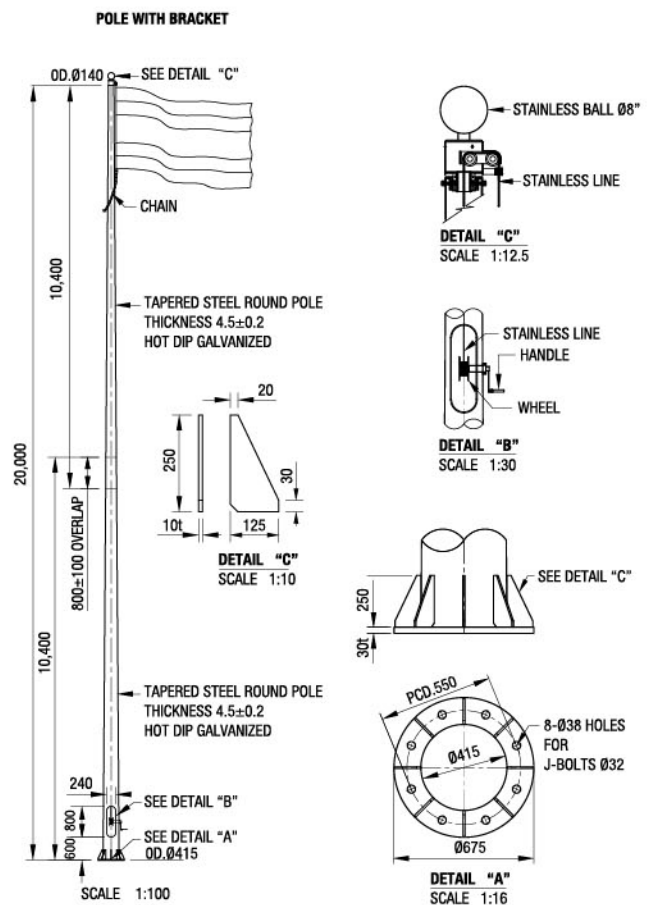
String-pull flagpole



Hand-cranked flagpole

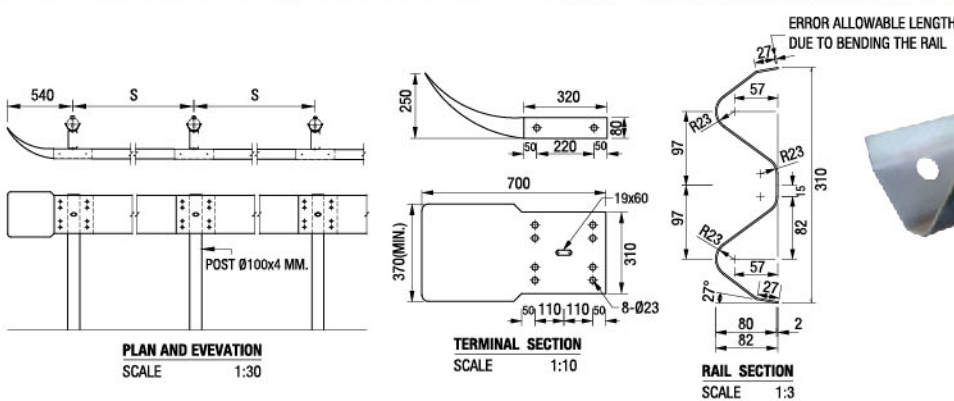


Motorized flagpole



GUARD RAIL

Produced from galvanized steel through a process that has been certified by the Department of Highways. Strong and resistant to corrosion can withstand all weather conditions used to prevent the vehicle from falling off the road. And indicate road zones to prevent accidents. when cars collide, guard rail prevents them from falling over the road. With production standards and long experience of our company, thus ensuring product quality and installation expertise.



- All dimensions are in millimeters. Unless otherwise stated
- The GUARD RAIL has the following features.

2.1 The GUARD RAIL plate shall be made of steel having a thickness not less than the minimum thickness specified. Of each class (CLASS), but must be galvanized (GALVANIZED) according to each type (TYPE). As shown in the table below

Rail Class	Type	Min. Rail Thickness (Millimeter)	Min. Weight Of Zinc Coating (Grams Per Squaremeter)
1	1	3.2	550
	2	3.2	1,100
2	1	2.5	550
	2	2.5	1,100

2.2 GUARD RAIL MECHANICAL PROPERTIES

Rail Class	Type	Min. Ultimate Tensile Strength (KG./MM ² .)	Min. Percentage of Elongation	Max. Deflection			
				Max. Load Traffic Face Up		Max. Load Traffic Face Down	
				Kg.	Deflection (Min.)	Kg.	Deflection (Min.)
1	1	41	21	910	50	720	50
	2	41	21	1,360	75	1,090	75
2	1	41	21	680	50	545	50
	2	41	21	910	75	720	75

2.3 Columns shall be galvanized round steel TIS 107.

2.4 Stud bolts, bolts and washers are of a threaded fastener and must be plated. Zinc according to TIS. 171 and up qualification (CLASS) 5.8

- Unless otherwise specified in the GUARD RAIL, Level 1 is used for highway tiers. Special and Route 1 For all other tiers, use GUARD RAIL Level 2.
- Where high abrasion resistance is required, use type 2 GUARD RAIL.

- Distance between pillars shall be in accordance with the table below.

Radius of Curve R (M.)	Spacing of Post S (M.)	*Height of Fill H (M.)	Spacing of Post S (M.)
ON TANGENT OR > 700	4.00	H < 300	4.00
450 < R < 700	3.00	3.00 < H < 4.00	3.00
150 < R < 450	2.00	4.00 < H < 5.00	2.00
R < 150	1.00	5.00 < H < 7.00	1.00

* For curves with a steep incline of 2: 1 or more, for high-filling curves, choose to use. One of the minimum installation distance

- In general, the road with a flat curvature and filling height more than 5 meters. The installation of GUARD RAIL is more appropriate than GUIDE POST installation, but installation is not recommended. For the road more than 7.00 meters high.
- GUARD RAIL installed in the arc radius less than 50 meters to bend the steel from the factory.
- In case of using GUARD RAIL 25 meters long, install BACKUP PLATE at the center pole with the reinforcement plate. This power is made of the same rack and type as the GUARD RAIL.
- Other than that specified in the form for the GUARD RAIL is compliant with TIS 248.
- The reflectors shall be in accordance with TIS 606 type 1 with a reflectivity coefficient of level 1.
- How to install W-BEAM GUARD RAIL, see details in the form No. RS-605 or RS-606.

LIGHTING LUMINAIRE



Street Light

Suitable for installation with street light posts to illuminate areas such as public corridors, parking lots, gas stations, etc. The lamp body is made of good quality materials. It is strong, durable, long service life, tens of thousands of hours. There are a number of watts to choose from, from 150W, 250W, 400W, the company is ready to provide additional details. Including nationwide delivery service.



Spotlight

Applications Area lighting, Industrial areas, Façade, Billboard lighting, Parking lots, Ports Airports Driving Ranges Parks.



Stadium Lighting

Main applications outdoor sports lighting and architectural lighting. Sports floodlighting luminaire to new heights of performance. Every aspect has been improved, including: design, power, efficiency, ease of installation, reliability and flexibility.



LED lamps

Product set to brighten your streets beyond imagination. Smartly-designed to bring cities the highest savings possible with best-in-class lumen per watt, this road lighting production comes at a competitive price bound to excite. Philips RoadFlair brings energy efficiency, improves a city's sustainability drive and delivers significant cost reduction in urban environments. The right road luminaire coupled with the right lighting application will create the best environment for your municipality, benefiting local communities and boosting tourism and businesses.



MEGA LIGHT
PRODUCT

MEGA LIGHT PRODUCT CO., LTD.

96/1 Soi Thian Talay 22, Bang Khun Thian - Chaithale Road,
Tha Kham Subdistrict, Bang Khun Thian District, Bangkok 10150

Tel: 0-2897-4863, 094-547-2678, 094-445-8779

Line: @megalightproduct

Email: megalightproduct@gmail.com



www.megalightproduct.com